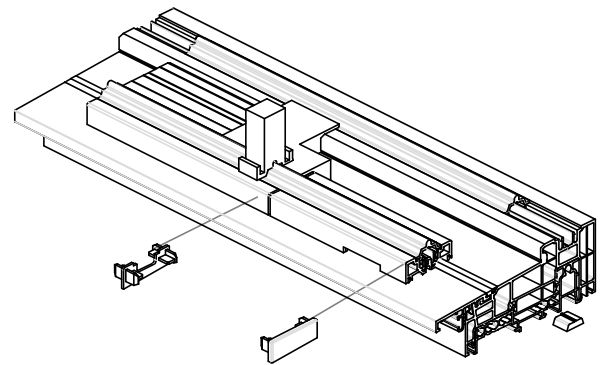
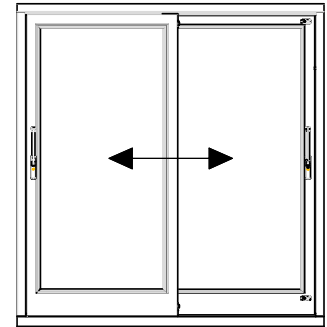
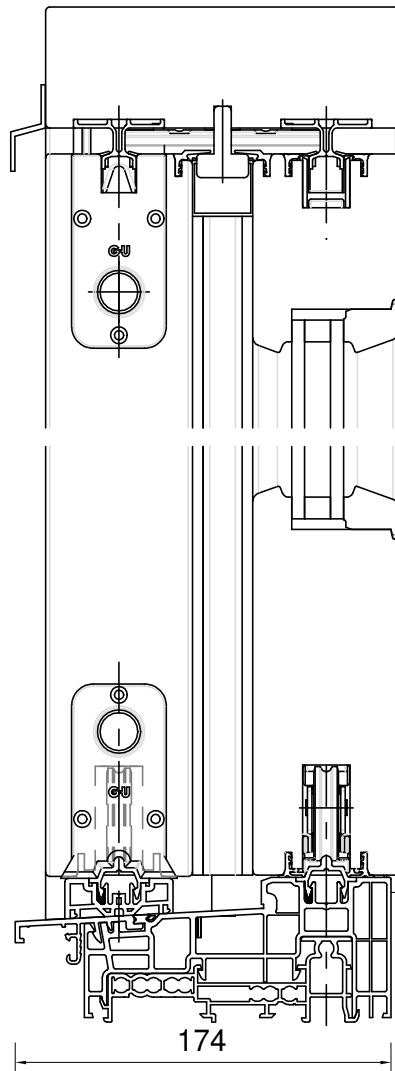


**HS DOOR
SCHEME "D"**



*SUGGESTED HEIGHT OF INSTALLATION
(INCLUDING FLOOR)*

67
60